



Applies To: **1999-00 Odyssey – ALL**
2001 Odyssey – From VIN 2HKRL1...1H500001 thru 2HKRL1...1H585107

June 26, 2001

Tailgate Spoiler Is Cracked or Seal Is Hanging

PROBLEM

The tailgate spoiler is cracked at or near the rear window washer nozzle or the spoiler seal is hanging from the top of the rear window.

CORRECTIVE ACTION

Replace the tailgate spoiler.

PARTS INFORMATION

Tailgate Spoiler: P/N 74900-S0X-A02, H/C 6789754

WARRANTY CLAIM INFORMATION

In warranty: The normal warranty applies.

Operation Number: 823185

Flat Rate Time: 0.4 hour

Failed Part: P/N 74900-S0X-A01
H/C 5935127

Defect Code: 017

Contention Code: A02

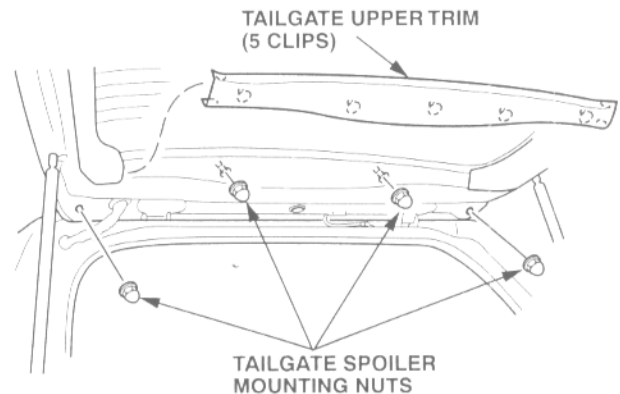
Template ID: 01-061A

Skill Level: Repair Technician

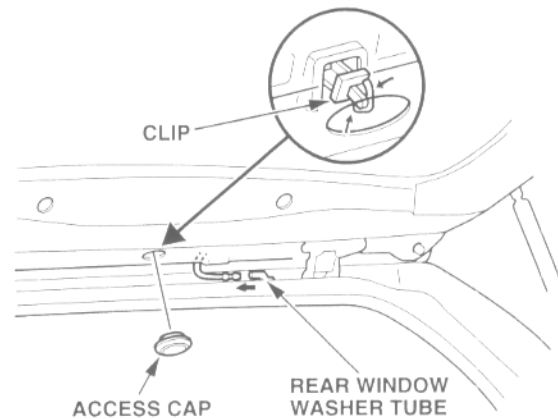
Out of warranty: Any repair performed after warranty expiration may be eligible for goodwill consideration by the District Service Manager or your Zone Office. You must request consideration, and get a decision, before starting work.

REPAIR PROCEDURE

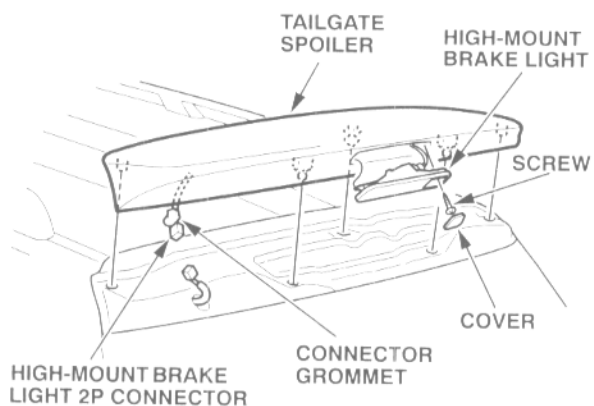
1. Remove the tailgate upper trim (five clips).



2. Remove the tailgate spoiler mounting nuts.
3. Disconnect the rear window washer tube. Remove the access cap from the tailgate, and detach the clip.



4. Gently close the tailgate, and lift up on the tailgate spoiler. Remove the high-mount brake light connector grommet from the tailgate, and unplug the high-mount brake light 2P connector. Remove the tailgate spoiler, taking care not to scratch the tailgate and the body.



5. Wipe the tailgate spoiler mounting surfaces on the tailgate with a clean shop towel.
6. Remove the high-mount brake light from the old tailgate spoiler (1 cover, 1 screw), and install it on the new spoiler.
7. Carefully position the new tailgate spoiler on the tailgate. Plug in the high-mount brake light 2P connector, and reinstall the connector grommet.
8. Push down on the tailgate spoiler, and gently raise the tailgate.
9. Reattach the clip, and reinstall the access cap. Reconnect the rear window washer tube.
10. Reinstall the mounting nuts on the tailgate spoiler. Torque the nuts to 9.8 N·m (7.2 lb-ft).
11. Reinstall the tailgate upper trim.