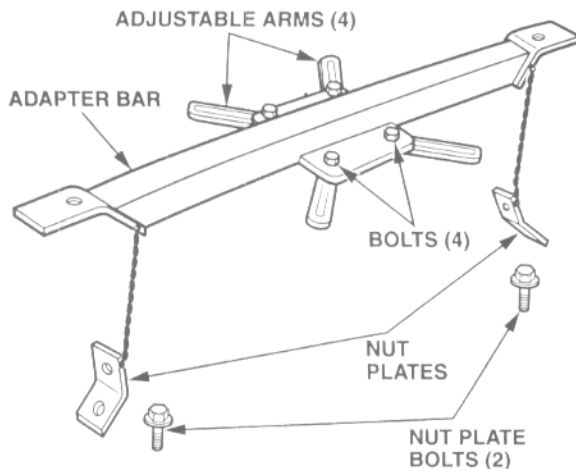




Odyssey Front Sub-Frame Removal Adapter

The Odyssey Front Sub-Frame Removal Adapter is a required tool. When properly fitted to a transmission jack and the vehicle's front sub-frame, the adapter provides a convenient way to remove the sub-frame. Front sub-frame removal is needed for transmission removal.

NOTE: The adapter is only intended to support the sub-frame, not the sub-frame and engine or transmission. Before you lower the sub-frame with the adapter, make sure the engine and transmission are properly supported.



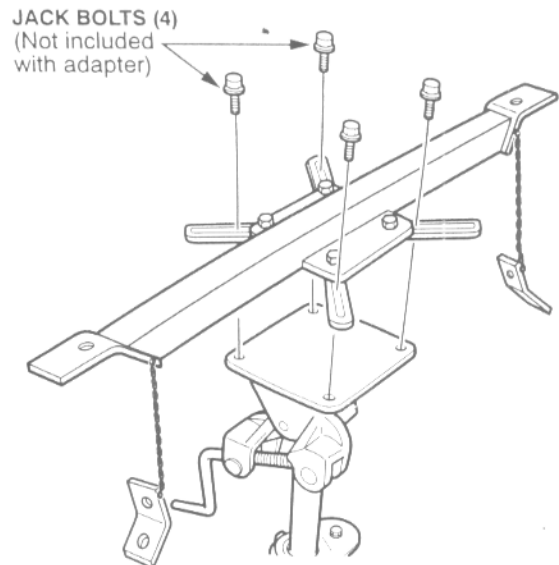
ORDERING INFORMATION

The Odyssey Front Sub-Frame Removal Adapter, T/N EQS07AODSY0, has been shipped to each dealership as a required special tool. To order additional adapters, call the Honda Tool and Equipment Program at 888-424-6857.

USING THE ADAPTER

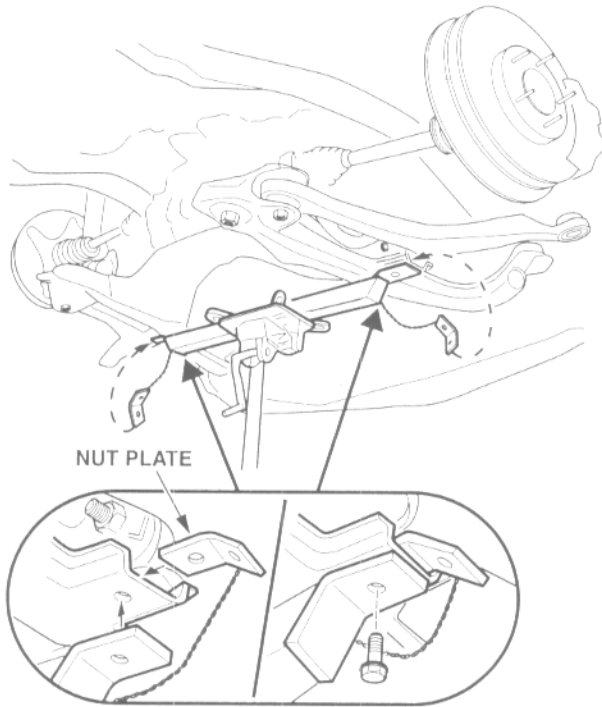
NOTE: The adapter is designed to be used with the transmission jack (model number LSL-W93714) or the powertrain lift (model number OTC-1585), both available through the Honda Tool and Equipment Program. The adapter will also work with most commercially available transmission jacks.

1. Loosen the four bolts holding the adapter's adjustable arms to its center plate.
2. Line up the slots in the arms with the bolt holes on the corners of the jack base, then attach the adapter to the jack base with the bolts that came with the jack. Tighten all bolts securely.



3. Raise the jack to vehicle height.

4. Remove the two bolts from the adapter's nut plates, then slide the plates between the sub-frame and the body.



5. Insert the nut plate bolts through the holes in the adapter and the sub-frame; then thread the bolts into the nut plates and torque them to 54 N·m (40 lb-ft).
6. With all vehicle parts properly supported or removed (see Transmission Removal in section 14 of the 1999-01 Odyssey Service Manual), carefully lower the sub-frame using the controls on the jack.