



September 4, 2001

New Model Information Update: 2002 Odyssey

This update has useful servicing information for the 2002 Odyssey. To ensure the successful launch of the new Odyssey, please fax any Product Quality Reports (PQRs) to 1-888-234-2138.

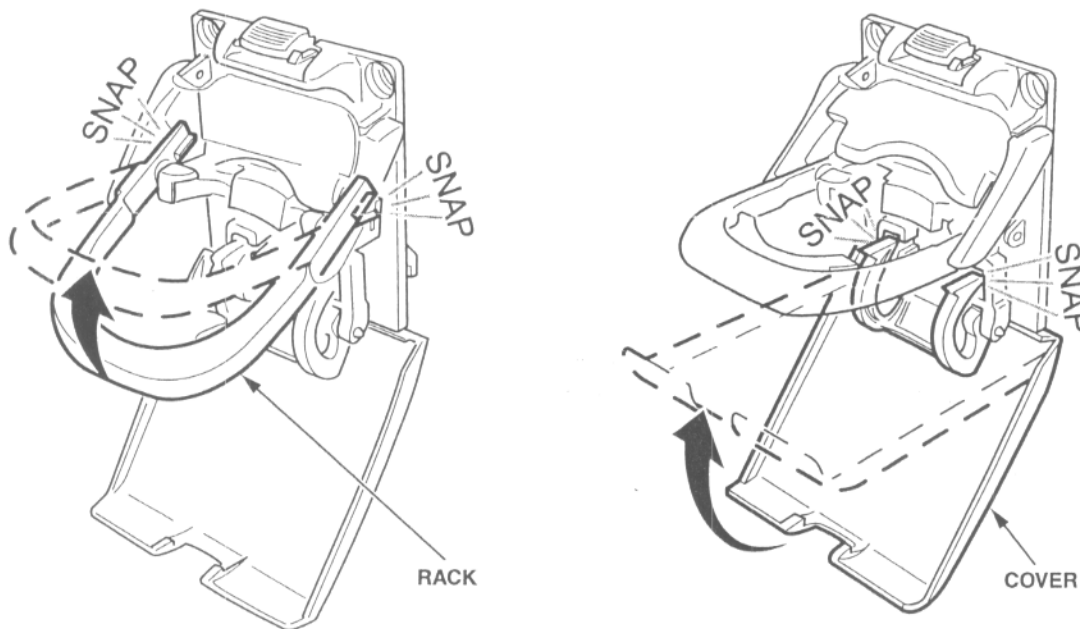
Trailer Towing

The 2002 Odyssey still has a trailer towing limit of 3,500 lbs. But to tow a trailer of *any* weight, it *must* have an A/T cooler and a heavy-duty power steering cooler installed. If these items *aren't* installed before towing a trailer, you're looking at a potential failure of the A/T, power steering components, or both. The kit for the accessory trailer hitch includes the A/T cooler and the heavy-duty power steering cooler. So when you install the hitch, you'll also install both coolers in accordance with the instructions provided.

New Folding Beverage Holders *Don't Break . . . They Break Away*

The new folding beverage holders on the outboard sides of the second row seats are designed to break-away instead of just breaking. If you accidentally step on them or push down on them too hard, the rack and the cover pop out of their detents and drop down.

To restore a beverage holder, just pull up firmly on the rack until you hear it snap into place, then do the same for the cover.



Honda Automobile Division

American Honda Motor Company, Inc., 1919 Torrance Boulevard, Torrance, California 90501-2746 Phone (310) 783-2000

Larger Tires Mean Higher Inflation Pressures

The tire size on the 2002 Odyssey has changed from 215/65R16 to 225/60R16. Make sure you inflate these larger tires to 36 psi.

No Seat-Back Heater on EX-L Model

To allow enough space for the occupant position detection system (OPDS) sensors, the EX-L model *doesn't* come with a heater in the front passenger seat-back, although the seat cushion *is* heated.

When You Think Oil, Think 5W-20, *Not* 5W-30

All 2002 Odyssey engines are factory-filled with the new 5W-20 grade engine oil to provide high fuel economy and performance. When servicing, make sure you use *only* this grade of engine oil, *not* your traditional 5W-30 grade.

Low Fuel Indicated by LED

The low fuel indicator light is now an amber LED instead of the fuel pump icon used on earlier models.

Check Glove Box for Demo DVD

Just a reminder: On an EX-L model with the Honda DVD Entertainment System (Rear Entertainment System), there's a demo DVD included in the owner's manual packet in the glove box. During PDI, make sure this DVD is loaded into the DVD player for vehicle delivery.

And Speaking of the Honda DVD Entertainment System . . .

The flip-down screen for the system is designed to turn itself off when it's pushed beyond the viewing detent. The wireless headphones work *only* while seated in the second and third row seats. *Don't* expect them to work if you're sitting in the driver's or front passenger's seat or standing outside the vehicle.

Sincerely,

**American Honda Motor Co., Inc.
Honda Automobile Division**